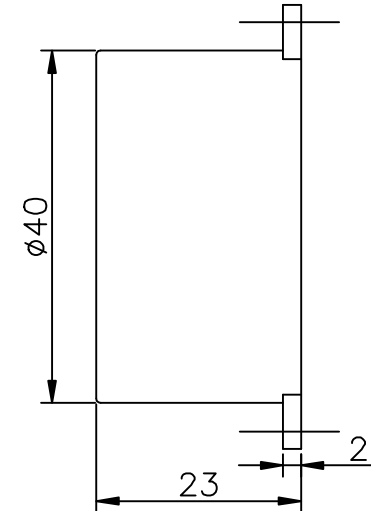
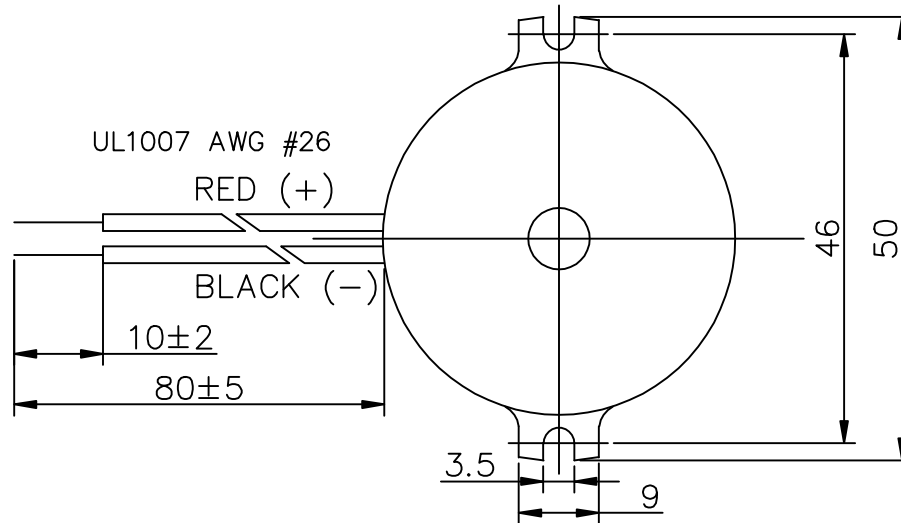


THIS DOCUMENT CONTAINS DATA PROPRIETARY TO PROJECTS UNLIMITED, INC. ANY USE OR REPRODUCTION, IN ANY FORM, WITHOUT PRIOR WRITTEN PERMISSION OF PROJECTS UNLIMITED, INC. IS PROHIBITED.
 ©2005, Projects Unlimited Inc.

SPECIFICATIONS

PARAMETERS	VALUES	UNITS
RATED VOLTAGE	6	Vdc
OPERATING VOLTAGE RANGE	1.5 ~ 12	Vdc
RATED CURRENT (MAX)	9	mA
MINIMUM SPL @ 10 CM	106	dBA
RESONANT FREQUENCY	3300±500	Hz
TONE OR PULSE RATE	CONTINUOUS	⁰ PULSE PER SECOND
OPERATING TEMPERATURE	-30 ~ +80	°C
STORAGE TEMPERATURE	-40 ~ +80	°C
HOUSING MATERIAL	ABS	-
TERMINAL MATERIAL	LEAD WIRE	-
WEIGHT	15	grams


REVISIONS			
LTR	DESCRIPTION	DATE	APPROVED
-	RELEASED FROM ENGINEERING	5/11/06	
A	REVISED OPERATING VOLTAGE RANGE	11/22/06	R.W.
B	REVISED PULSE RATE PER SECOND	8/16/07	R.W.



NOTES:

1. ALL DIMENSIONS ARE IN MILLIMETERS.
2. SPECIFICATION SUBJECT TO CHANGE OR WITHDRAWAL WITHOUT NOTICE.
3. THIS PART IS RoHS 2002/95/EC COMPLIANT.

FILE NAME
X-4033-TF-LW80-R.DWG

UNLESS OTHERWISE SPECIFIED: DIMENSIONS ARE IN MILLIMETERS, TOLERANCES ARE ±0.5 AND ANGLES ARE ±3°.		 projects® unlimited Dayton, Ohio	
INDICATOR		DRAWING NO. X-4033-TF-LW80-R	
APPROVALS	DATE	SIZE	
DRAWN <i>J.D.</i>	5/06	A	
CHECKED <i>E.P.</i>	5/06		
APPROVED <i>B.R.</i>	5/06		
DO NOT SCALE DRAWING		SCALE: N.T.S.	SHEET 1 OF 1